



EVI 3

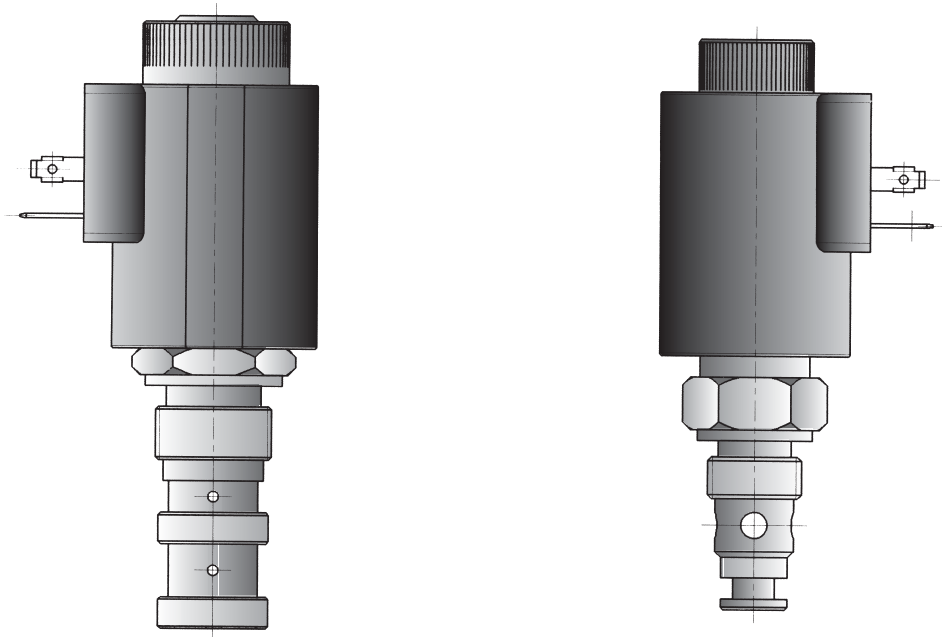
Coil System

EVI 3

Coil System

The EVI3 coil system by AMISCO includes a wide range of electrical coils suitable for cartridge valves for mobile hydraulic and pneumatic applications.

The EVI3 coils are designed to fit most of the current applications and offer a choice of electrical terminations like DIN 43650 (EN 175301-803 ISO 4400), Kostal M27x1, AMP Junior, Flying Leads, AMP Superseal, Metripack, Deutsch and ISO 15170.



The EVI 3E coil is designed to fit solenoid tubes with $\varnothing=14\text{mm}$.

The EVI 3P coil is designed to fit solenoid tubes with $\varnothing=16\text{mm}$.

The EVI 3D coil is designed to fit solenoid tubes with $\varnothing=19\text{mm}$ (3/4 inch).

Types, power ratings and more technical specifications are described in the following pages.

These coils can be manufactured with different powers or characteristics upon customer request.

The flying leads version can be equipped with different connectors upon request.

ALL COILS FEATURE

- Heat resistant bobbin moulded with 30% glass filled thermoplastic polyester material
- Class H 200°C wire according to IEC 60317-13
- Built-in magnetic yoke made by low carbon iron
- Encapsulation with high quality custom designed glass filled nylon or thermoplastic polyester
- Copper and plastic material used are UL-Listed

The use of other materials is possible upon special agreements.

Coils are rated to Class F for continuous service.

These coils are designed in accordance to EN 60204.1 and VDE 0580.

Coil can be supplied and marked EAC for use in Russian Market.

More details about EAC certification can be given on customer request.

The specifications and drawings contained herein are believed to be correct and are given in good faith, however no liability is accepted therefore. Manufacturer reserves the right to modify said specifications and drawings without notice for technical or commercial reasons.

COIL CODING SPECIFICATIONS

PART NUMBER:

X X 9 9 Y K 5 5 5 4 4 * *

TYPE

3E = EVI 3E
3P = EVI 3P
3D = EVI 3D

COIL BORING

14 = 14 mm
16 = 16 mm
19 = 19 mm

ELECTRICAL CONNECTION

A = AMP Junior (only for 3E and 3P)	T = Deutsch DT04 (only for 3P)
C = Flying leads	S = AMP Superseal (only for 3P)
D = DIN 43650 A	M = Metripack 2 (only for 3P)
K = Kostal M27x1 (only for 3E and 3P)	I = ISO 15170 (only for 3P)

SUPPLY CURRENT

A = Alternating current (A.C.)
D = Direct current (D.C.)
R = Rectified alternating current (R.A.C.)

NOMINAL VOLTAGE

Example: 012 = 12V
024 = 24V

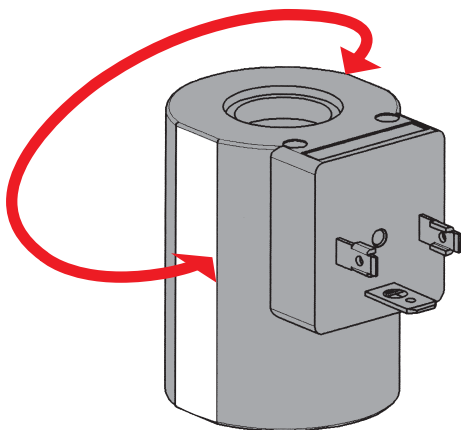
WINDING CODE

See tables in next pages

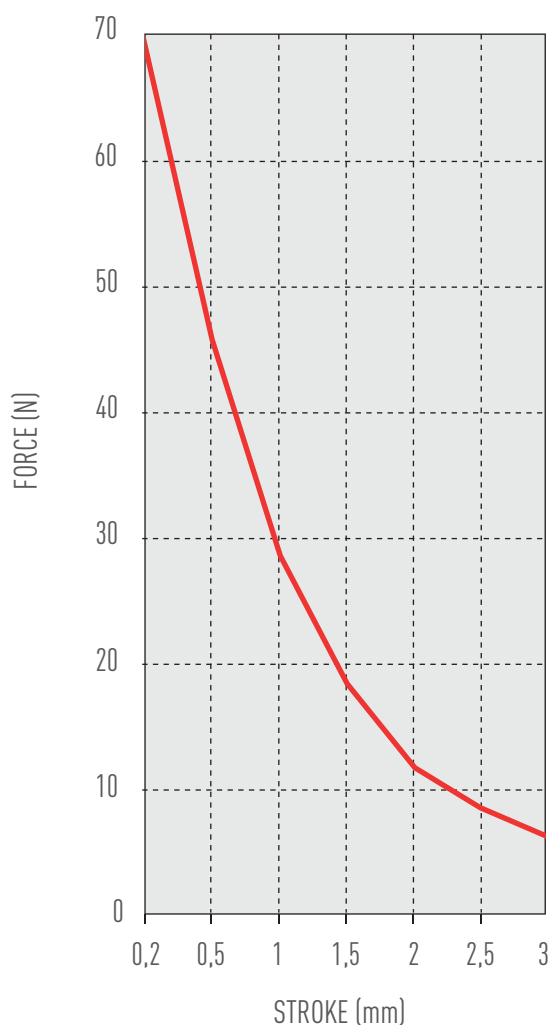
MARKING

AM = Standard coil + Amisco logo
ZN = Standard coil (only voltage)
... = Customized marking

Alternative possibilities for
CUSTOMER LOGO



EVI 3E/14



Force stroke curve at -10% nominal voltage and stabilized duty temperature. This graph has to be intended as an indication. In fact it can change according to the specific applications.

EVI 3E/14

NOMINAL VOLTAGE	POWER	WINDING CODE
12VDC	21W	01
24VDC	21W	01

Coil suitable for hydraulic applications. It can be supplied with different power consumptions according to specific requirements. Available with different types of electric connections. (see side page).

TECHNICAL DATA

Standard power consumption: 21W
 Force: see the graph
 Duty Cycle: 100% ED (continuous)
 Standard operating voltages: 12-24 VDC
 Other voltages on request.
 Operating voltage range:
 max: 10% over the nominal voltage.
 min : according to the specific application.
 Operating temperature range: -40°C ÷ +50°C
 Coil insulation: Class F

GENERAL CONSTRUCTION:

According to EN 60204.1 and DIN VDE 0580
 MATERIALS: Wire class H200°C, Encapsulant: glass filled PA 6-6 or glass filled PBT.
 Other materials on request.

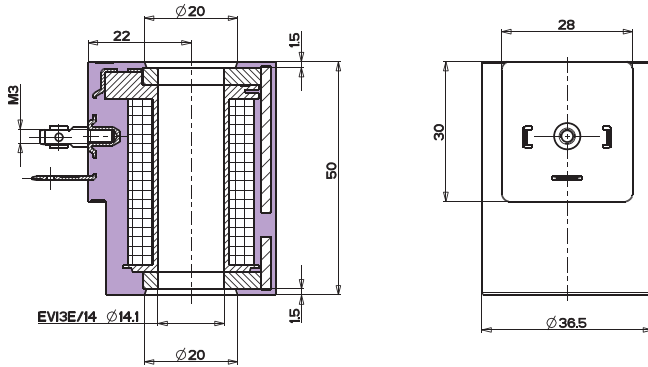
ELECTRICAL CONNECTIONS:

Degree of protection: IP 54 (EN 60529)
 With connector and suitable seals it can reach:
 DIN 43650 connector IP65
 KOSTAL connector (M27x1) IP67
 Flying leads IP67
 AMP Junior IP65

DIN 43650 A (EN 175301-803 ISO 4400)

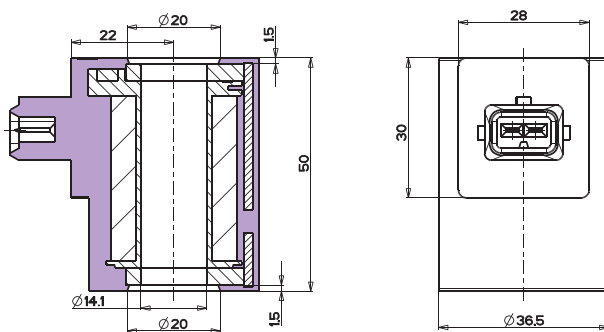
PART NUMBER 3E14D...

M3 Torque 0,4±0,6Nm



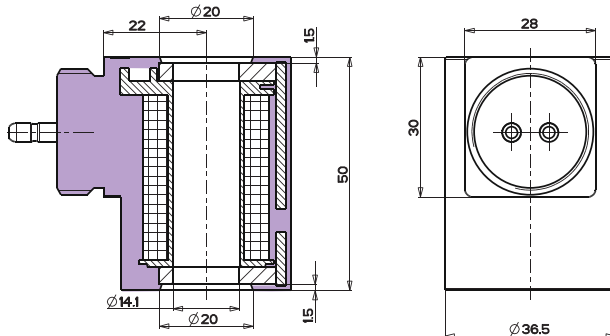
AMP Junior

PART NUMBER 3E14A...



KOSTAL M27X1

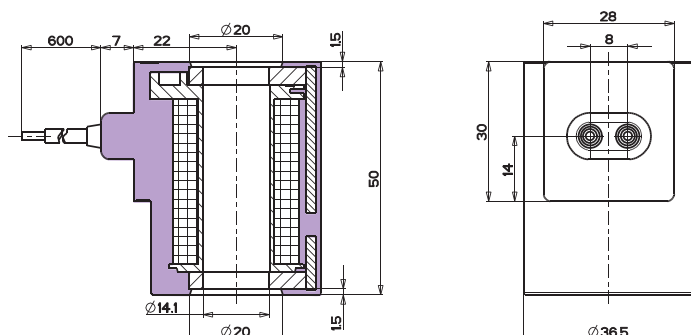
PART NUMBER 3E14K...



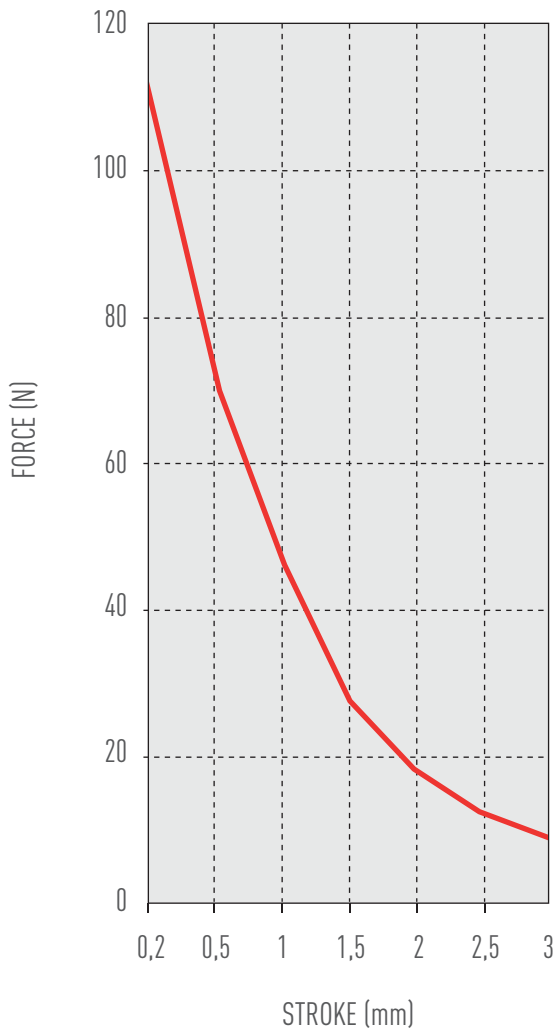
FLYING LEADS

PART NUMBER 3E14C...

600 mm flying leads as a standard, AWG 18 UL Style 3173



EVI 3P/16



Force stroke curve at -10% nominal voltage and stabilized duty temperature. This graph has to be intended as an indication. In fact it can change according to the specific applications.

EVI 3P/16

NOMINAL VOLTAGE	POWER	WINDING CODE
12VDC	26W	01
24VDC	26W	01

Coil suitable for hydraulic applications. It can be supplied with different power consumptions according to specific requirements. Available with different types of electric connections. (see side page).

TECHNICAL DATA

Standard power consumption: 26W
 Force: see the graph
 Duty Cycle: 100% ED (continuous)
 Standard operating voltages: 12-24 VDC
 Other voltages on request.
 Operating voltage range:
 max: 10% over the nominal voltage.
 min : according to the specific application.
 Operating temperature range: -40°C ÷ +50°C
 Coil insulation: Class F

GENERAL CONSTRUCTION:

According to EN 60204.1 and DIN VDE 0580
 MATERIALS: Wire class H200°C, Encapsulant: glass filled PA 6-6 or glass filled PBT. Other materials on request.

The coil EVI3P16 has been developed originally by Amisco in 1990 and then got a wide diffusion on the market of hydraulic valves.

ELECTRICAL CONNECTIONS:

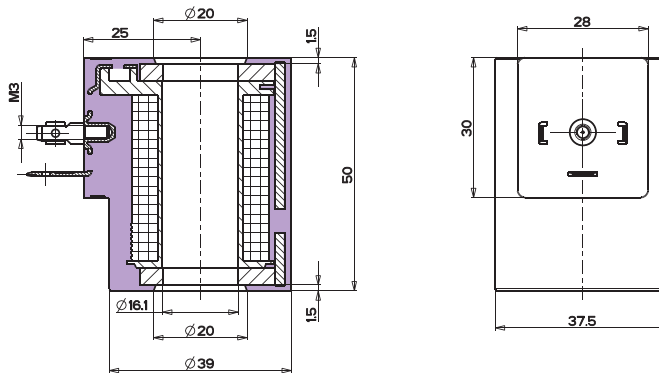
Degree of protection: IP 54 (EN 60529)
 With connector and suitable seals it can reach:

DIN 43650A	IP65
KOSTAL (M27X1)	IP67
FLYING LEADS	IP67
AMP JUNIOR	IP65
DEUTSCH DT04	IP69K
AMP SUPERSEAL	IP69K
METRIPACK2	IP69K
ISO 15170	IP69K

DIN 43650 A (EN 175301-803 ISO 4400)

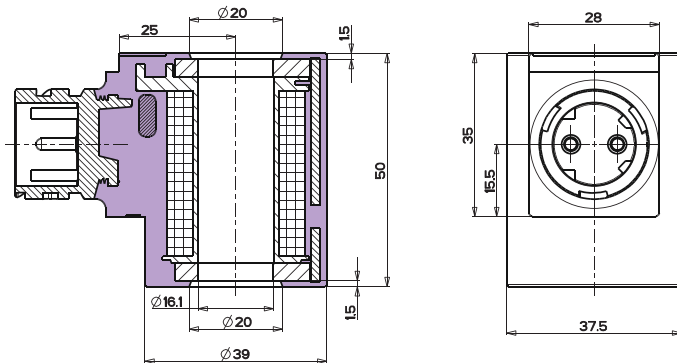
PART NUMBER 3P16D...

M3 Torque 0,4±0,6Nm



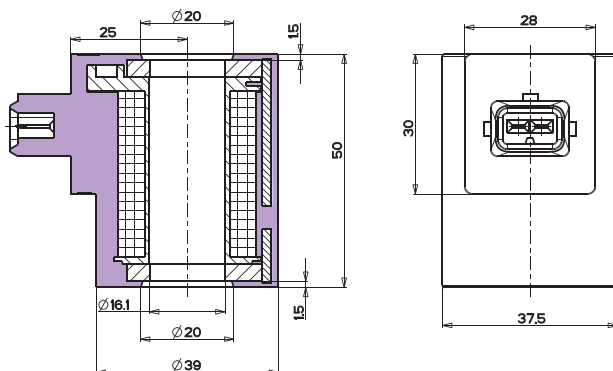
ISO 15170

PART NUMBER 3P16I...



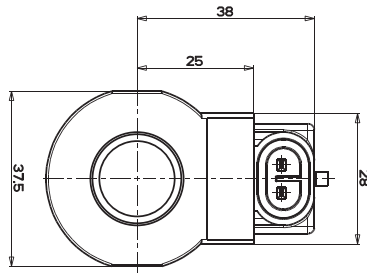
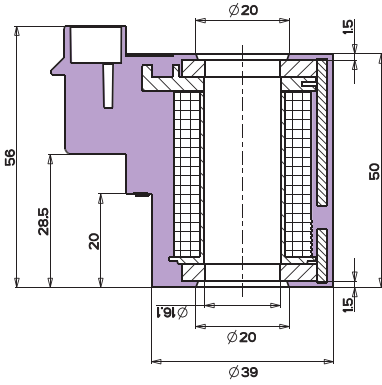
AMP JUNIOR

PART NUMBER 3P16A...



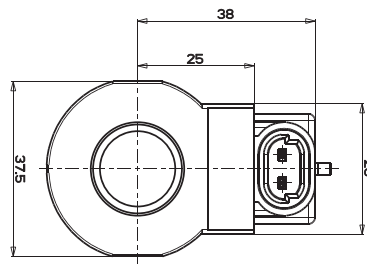
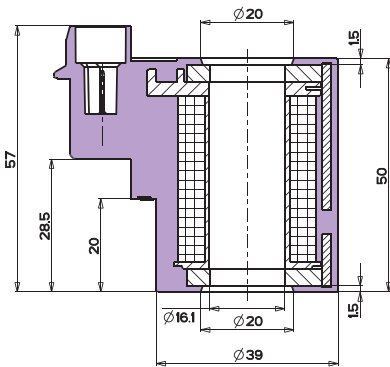
AMP SUPERSEAL

PART NUMBER 3P16S...



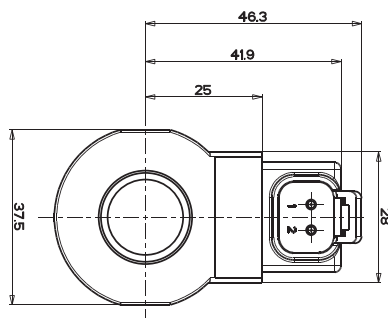
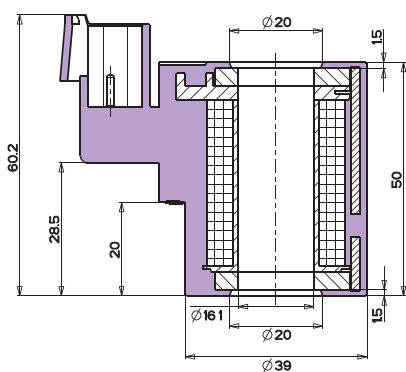
METRIPACK 2

PART NUMBER 3P16M...



DEUTSCH DT04

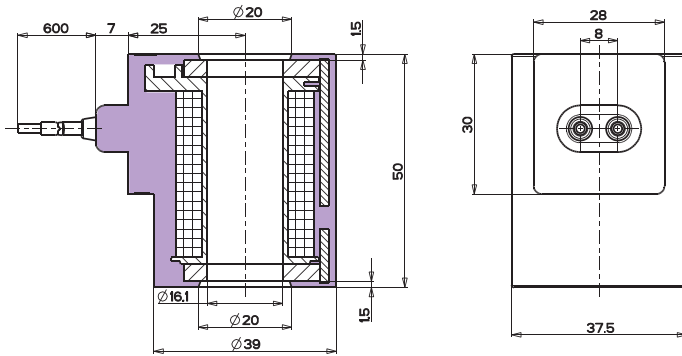
PART NUMBER 3P16T...



FLYING LEADS

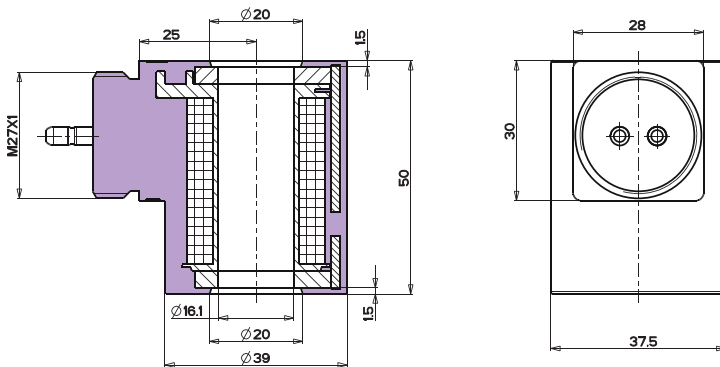
PART NUMBER 3P16C...

600 mm flying leads as a standard, AWG 18 UL Style 3173

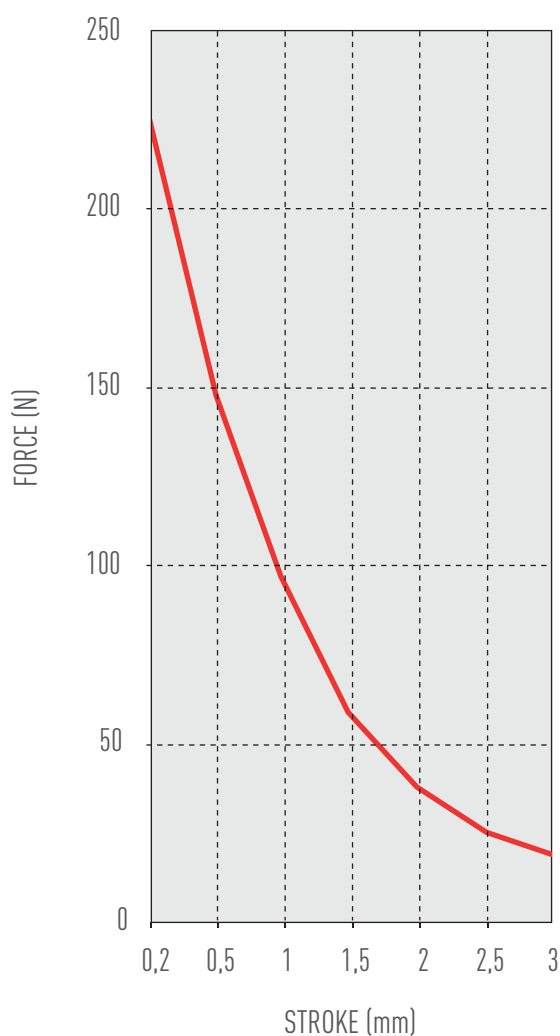


KOSTAL M27X1

PART NUMBER 3P16K...



EVI 3D/19



Force stroke curve at -10% nominal voltage and stabilized duty temperature. This graph has to be intended as an indication. In fact it can change according to the specific applications.

EVI 3D/19

NOMINAL VOLTAGE	POWER	WINDING CODE
12VDC	30W	01
24VDC	30W	01

Coil suitable for hydraulic applications. It can be supplied with different power consumptions according to specific requirements. Available with different types of electric connections. (see side page).

TECHNICAL DATA

Standard power consumption: 30W

Force: see the graph

Duty Cycle: 100% ED (continuous)

Standard operating voltages: 12-24 VDC

Other voltages on request.

Operating voltage range:

max: 10% over the nominal voltage.

min: according to the specific application.

Operating temperature range: $-40^{\circ}\text{C} \div +50^{\circ}\text{C}$

Coil insulation: Class F

GENERAL CONSTRUCTION:

According to EN 60204.1 and DIN VDE 0580

MATERIALS: Wire class H200°C, Encapsulant: glass filled PA 6-6 or glass filled PBT. Other materials on request.

ELECTRICAL CONNECTIONS:

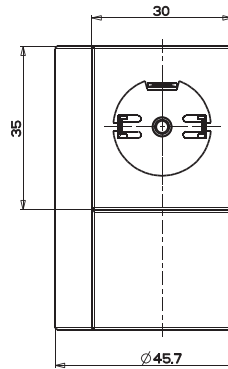
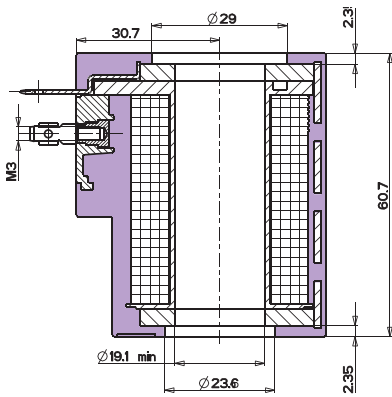
Degree of protection: IP 54 (EN 60529)

With connector and suitable seals it can reach:

DIN 43650A IP65

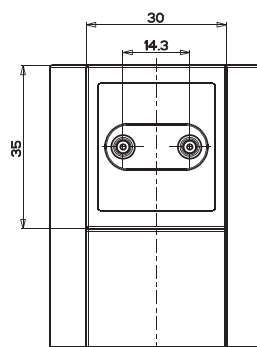
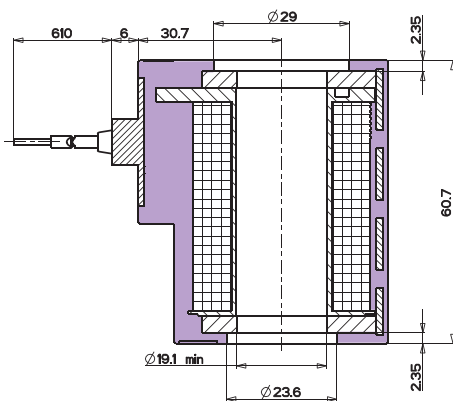
FLYING LEADS IP67

M3 Torque 0,4±0,6Nm




FLYING LEADS


600 mm flying leads as a standard, AWG 18 UL Style 3173



Certifications



UE DECLARATION OF CONFORMITY



We declare under our sole responsibility that the product:

Coil type: *EVI 3E14*

Nominal voltage: up to 240V
 Nominal Power: up to 21W[DC] or 28VA[AC]
 Ambient temperature: -40 ÷ +50 °C
 Tolerance range on nominal values: ±10%


Type of connection and other information are available on Amisco catalogue or on request.

Is conform to the following directives:

- **2014/35/UE LV**
- **2011/65/UE RoHS**

with reference (if applicable) to the following harmonized standards:

• EN 12100 [2010]	• EN 60664/1 [2007]
• EN 60204/1 [2006]	• VDE 0580 [2011]




Filippo Rotondo
Amisco Technical Division Manager

Paderno Dugnano, 20 April 2016


The data supplied in Amisco catalogues are to be consulted, and pertinent accident prevention regulations are to be followed during product installation and use. Any unauthorized work performed by purchaser or by third parties can impair its functions, and relieves Amisco of all warranty claims and liability for any resulting damage.

Amisco S.p.A.
Via Piaggio 70
20037, Paderno Dugnano (MI) – Italy

Tel. +39 02.9900181
Fax +39 02.99001860
www.amisco.it



UE DECLARATION OF CONFORMITY



We declare under our sole responsibility that the product:

Coil type: *EVI 3P16*

Nominal voltage: up to 230V
 Nominal Power: up to 26W [DC]
 Ambient temperature: -40 ÷ +50 °C
 Tolerance range on nominal values: ±10%


Type of connection and other information are available on Amisco catalogue or on request.

Is conform to the following directives:

- **2014/35/UE LV**
- **2011/65/UE RoHS**

with reference (if applicable) to the following harmonized standards:

• EN 12100 [2010]	• EN 60664/1 [2007]
• EN 60204/1 [2006]	• VDE 0580 [2011]




Filippo Rotondo
Amisco Technical Division Manager

Paderno Dugnano, 20 April 2016


The data supplied in Amisco catalogues are to be consulted, and pertinent accident prevention regulations are to be followed during product installation and use. Any unauthorized work performed by purchaser or by third parties can impair its functions, and relieves Amisco of all warranty claims and liability for any resulting damage.

Amisco S.p.A.
Via Piaggio 70
20037, Paderno Dugnano (MI) – Italy

Tel. +39 02.9900181
Fax +39 02.99001860
www.amisco.it



UE DECLARATION OF CONFORMITY



We declare under our sole responsibility that the product:

Coil type: *EVI 3D19*

Nominal voltage: up to 230V
 Nominal Power: up to 30W [DC]
 Ambient temperature: -40 ÷ +50 °C
 Tolerance range on nominal values: ±10 %


Type of connection and other information are available on AMISCO catalogue or on request.

Is in conformity with the following directives:

- **2014/35/UE LV**
- **2011/65/UE RoHS**

with reference (if applicable) to the following harmonized standards:

• EN 12100 [2010]	• EN 60664/1 [2007]
• EN 60204/1 [2006]	• VDE 0580 [2011]



Filippo Rotondo
Amisco Technical Division Manager

Paderno Dugnano, 20 April 2016

The data supplied in AMISCO Catalogues are to be consulted, and pertinent accident prevention regulations are to be followed during product installation and use. Any unauthorized work performed by purchaser or by third parties can impair its functions, and relieves AMISCO of all warranty claims and liability for any resulting damage.

Amisco S.p.A.
Via Piaggio 70
20037, Paderno Dugnano (MI) – Italy

Tel. +39 02.9900181
Fax +39 02.99001860
www.amisco.it

This Certificate does not replace the original EAC Document




CERTIFICATE

In accordance with
SERCONS INTERNATIONAL
 Russian Certification Authority in Europe

the company:
AMISCO S.p.A.
 Via Piaggio 70,
 Paderno Dugnano (MI), 20037
 ITALY

fulfills the necessary requirements to be certified according to EAC regulations.

Valid until: 22.05.2023



SERCONS INTERNATIONAL — Certification Authority
 Piazza della Repubblica, 32, 20124, MILAN | +39 02 8001 2140 | www.SERCONS.ch/it



w w w . a m i s c o . i t



AMISCO S.p.a.
Via Piaggio, 70
20037 Paderno Dugnano (Mi)
Italy

Tel. +39 02.99.00.181
Fax +39 02.99.00.18.60
amisco@amisco.it